

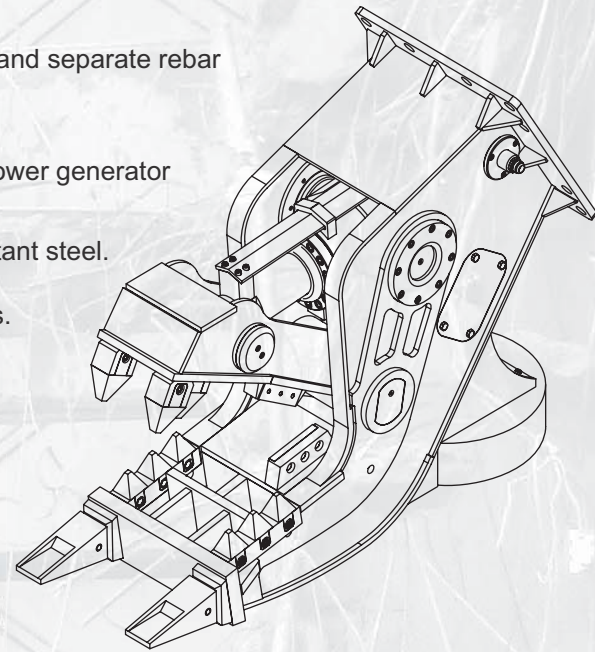
ELECTROMAGNETIC PULVERIZER TPI-W

Equipped with magnet, this perfect tool is designed to recycle concrete on site and separate rebar and light steel.

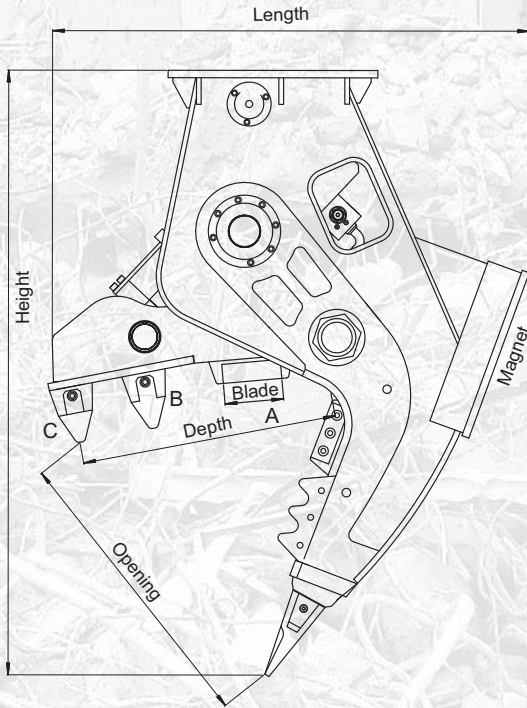
Eliminates hand picking costs and makes for a safer work environment.

The electromagnet is powered by 24V DC from the carrier, and no additional power generator is required. (230V, 39A for generator is available)

- Heavy duty compact design using high strength steel and high abrasion-resistant steel.
- Trunnion mounted cylinder provides a compact profile.
- Oversized speed valve reduces the cycle time and eliminates over flow issues.
- The widest jaw opening in its class.
- Replaceable four way turnable cutter blades.
- Replaceable bolt-on teeth and Replaceable digging teeth.



AUTHORIZED DEALER



Model		Unit	TPI 15W	TPI 25W	Unit	TPI 15W	TPI 25W
Carrier Weight		M/T	12~20	25~36	M/T	12~20	25~36
Operating Weight		kg	1,250	2,270	lb	2,750	4,990
Jaw Opening			780	925		30.7	36.4
Jaw Depth		mm	820	870	inch	32.3	34.3
Blade Length			140	200		5.5	7.9
Cutting Force [A]			163	202		359	445
Crushing Force	[B] Mid	M/T (Metric Ton)	67	95	lb (x1000)	147	209
	[C] Tip		42	62		93	137
Rated Pressure		bar	320		psi	4,600	
Rated Oil Flow		lpm	240	480	gpm	63	126
DIM	Height		1,650	1,960		65	77
	Length	mm	1,390	1,580	inch	55	62
	Width		436	540		17	21
Cycle time	Open	sec	1.4	1.3	sec	1.4	1.3
	Close		1.3	1.1		1.3	1.1
Magnet	Size	mm	500x500 or Ø600		inch	20x20 or Ø23	
	Voltage	V	24.0 ~ 28.0		V	24.0 ~ 28.0	
	Amp	A	50.0 ~ 80.0		A	50.0 ~ 80.0	
	Duty Ratio	%	Continuous		%	Continuous	
	Capacity	kg	1,700 ~ 2,000		lb	1,700 ~ 2,000	

Specifications subject to change without notice.

- Height : Flat Top Mounting
- Cycle Time : Measured at rated flow under no load.
- Capacity : Tested with a block with no airgap.

