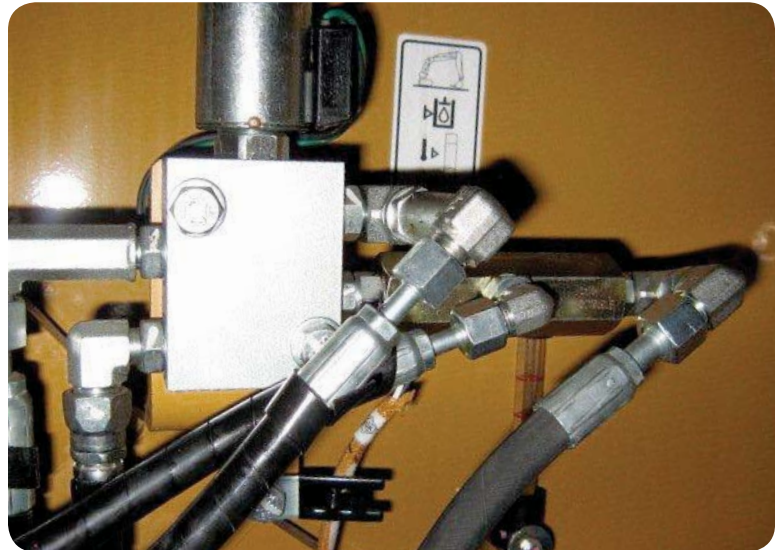
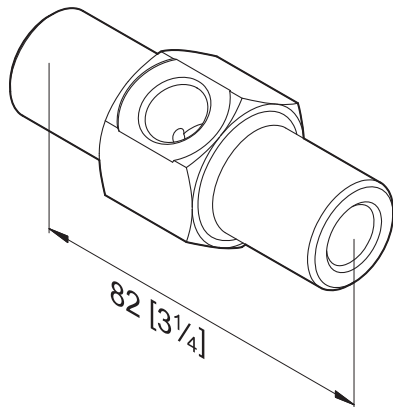


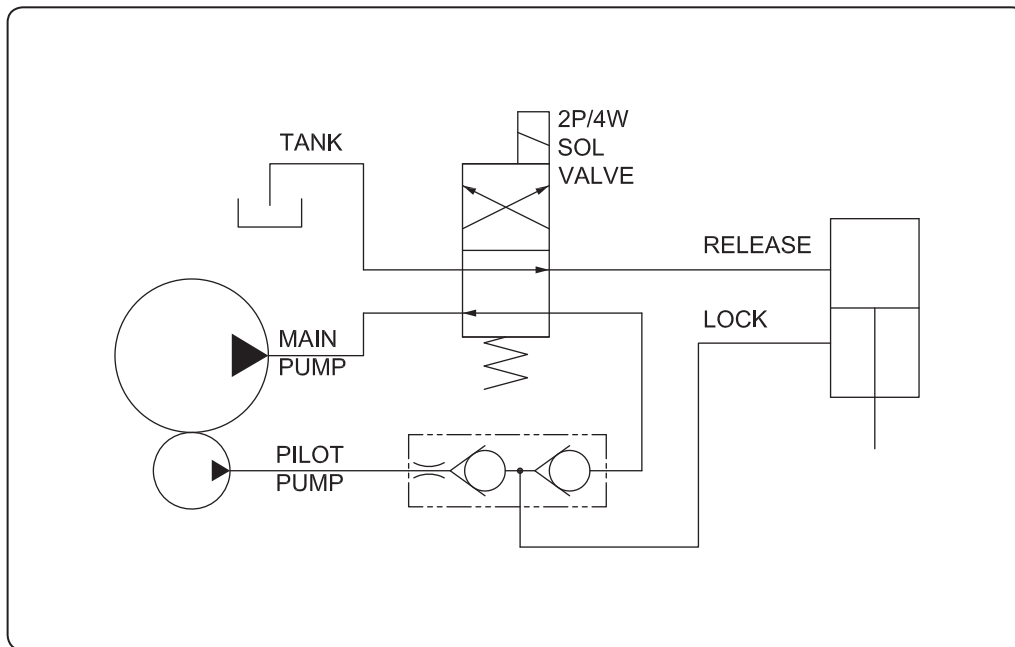
DOUBLE CHECK VALVE [DCV0606B]

[REV. DCV-B01]

- SAE ORB -6 Ports
- Compact and Light Weight : Less than 0.3kgs [0.7 lb]
- Zinc Plated



[Typical Application]



sales@lynxattachments.com



Authorized Dealer