

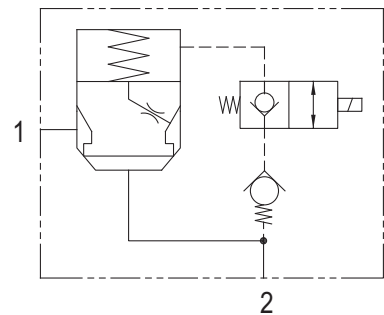
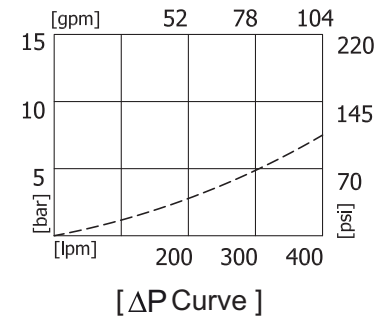
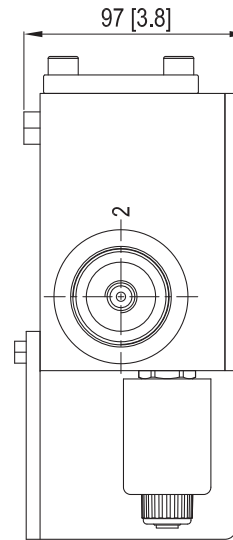
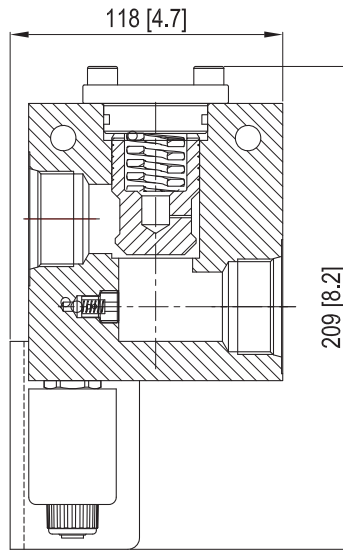
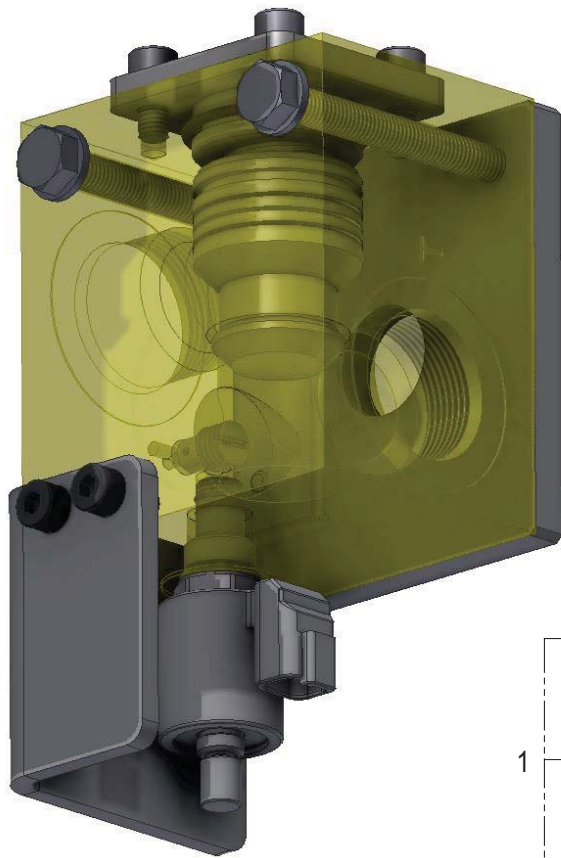
BSS SHUT-OFF VALVE SOLENOID OPERATED

BSS SOLENOID OPERATED SHUT-OFF VALVE

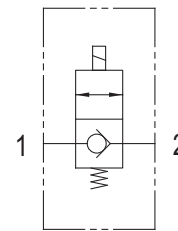
2W/2P high capacity fast acting shut-off valve in any hydraulic system.

AUTHORIZED DEALER

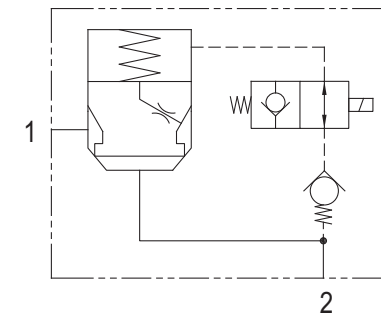
Model	Port	Rated Pressure		Rated Flow		Solenoid
		bar	psi	lpm	gpm	
BSS20B-24VDC-NO	SAE ORB -20	350	5,000	380	98	24V DC - Normally Open
BSS20B-24VDC-NC	SAE ORB -20	350	5,000	380	98	24V DC - Normally Closed



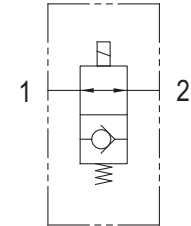
[Hydraulic Schematic : NC]



[Simplified : NC]



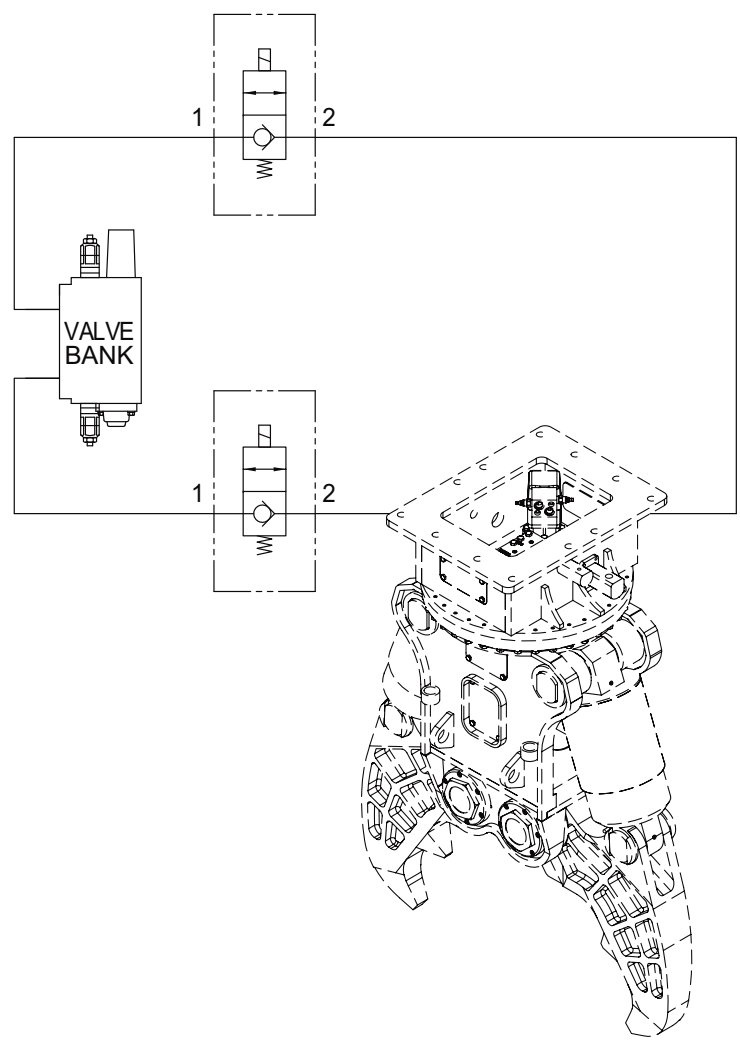
[Hydraulic Schematic : NO]



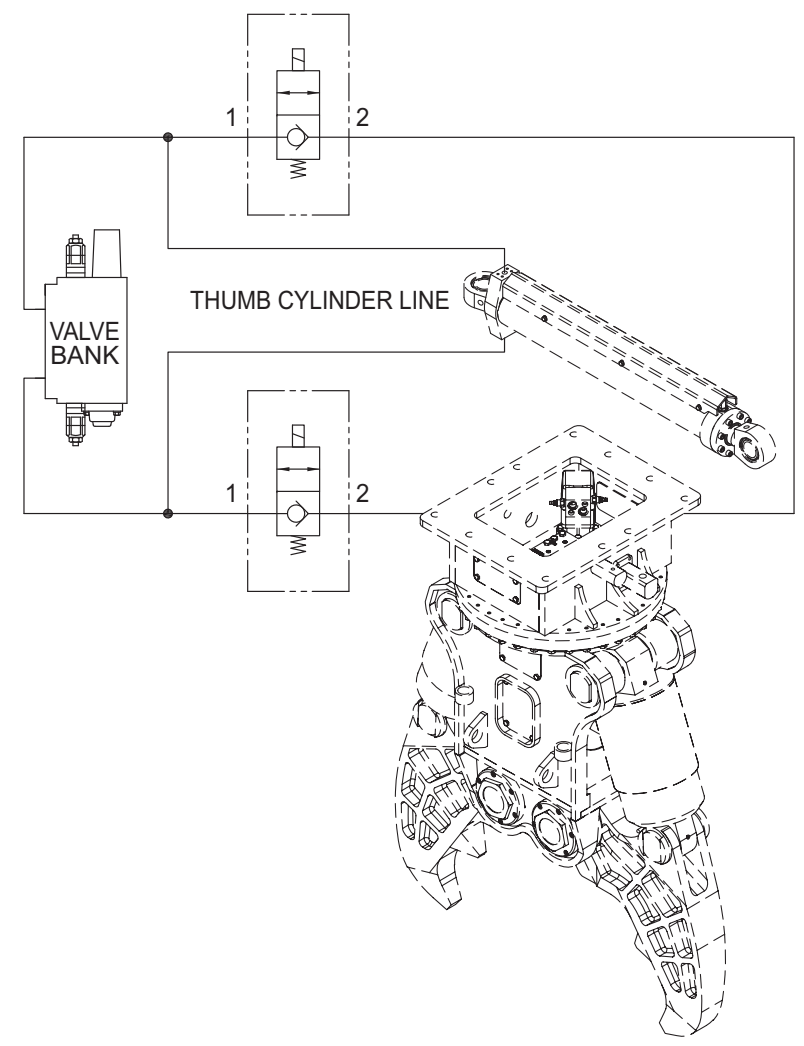
[Simplified : NO]

BSS SHUT-OFF VALVE SOLENOID OPERATED TYPICAL APPLICATION

[SHUT-OFF VALVE : CRUSHER/ GRAPPLE]

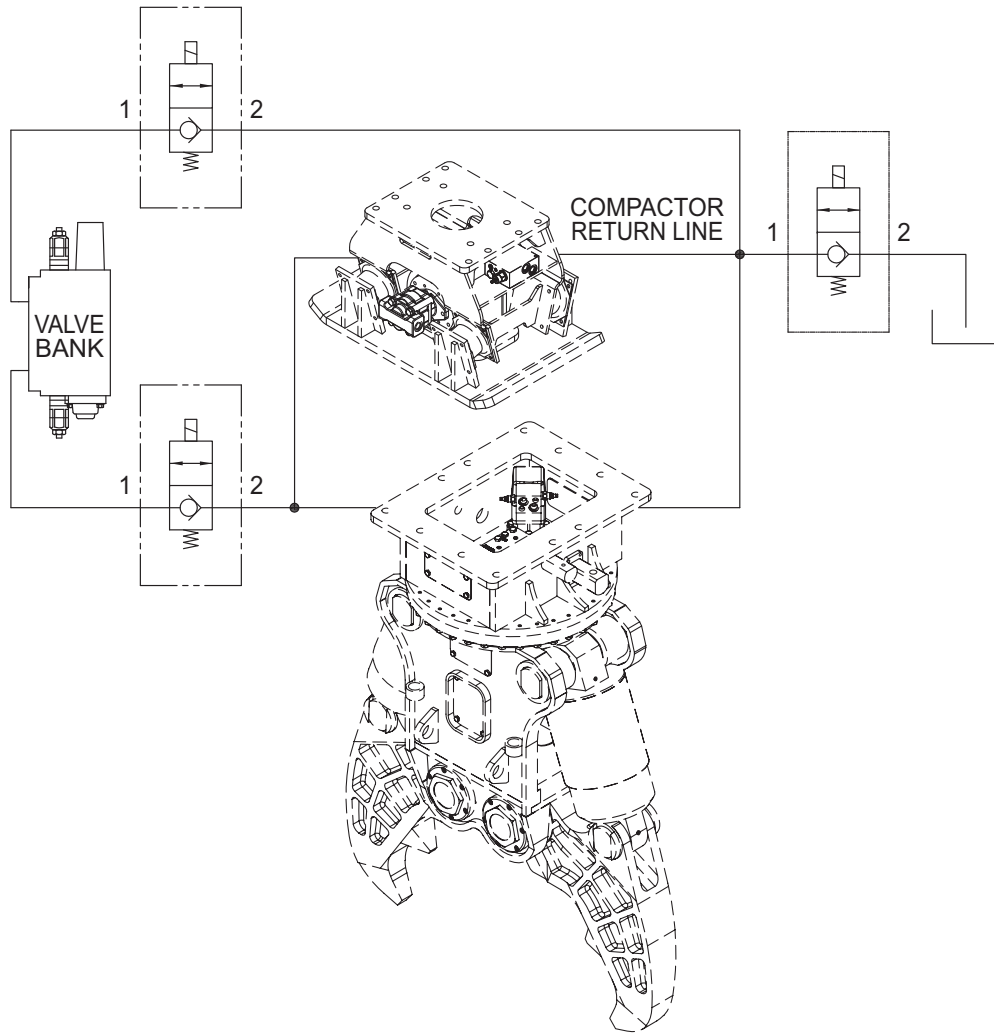


[SHUT-OFF VALVE : THUMB/ CRUSHER COMBO]



BSS SHUT-OFF VALVE SOLENOID OPERATED TYPICAL APPLICATION

[SHUT-OFF VALVE : CRUSHER/ COMPACTOR COMBO]



[DUMP VALVE : CRUSHER JAW OPEN CYCLE]

